



### Key Features:

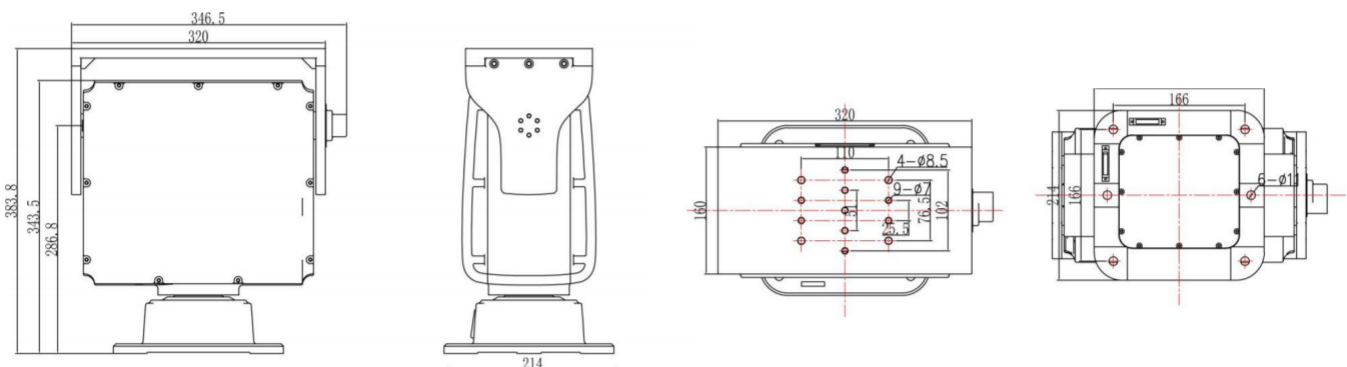
- Maximum top load capacity 65kg/143lb
- Optional 35kg and 50kg load
- Top mount or side mount
- Pan angle: 0-360°; Tilt angle: -45°~+45°
- Pan speed 0.01~20°/s; Tilt speed 0.01~10°/s
- Positioning accuracy: ±0.1°
- Support coordinate feedback and control
- 4000V lighting surge protection
- Rated IP66 for dust and water ingress

### General Description:

BIT-PT865 PT unit is designed for large pan tilt positioning system for video surveillance, communication or board defence etc. With powerful stepping motor/additional driver and precision worm/gear, it is capable of carrying up to 65/143lb devices with smooth rotation speed at minimum 0.01 degree/second, which makes targeting and tracking object at the maximum zoom possible.

As the rotation part of large system, BIT-PT865 pan tilt unit has been widely used in various applications including border defence, forest fire prevention, power station, costal/river monitoring, telecommunication and airport, etc.

### Dimension:



#### Blue Icon (Tianjin) Technology Co., Ltd.

F9, Macalline Business Center  
No. 29, Heiniucheng Rd.  
Hexi District 300210  
Tianjin, China

Email: [sales@bit-cctv.com](mailto:sales@bit-cctv.com)

Phone: +86-13920688922

Website: <https://www.bit-cctv.com>

Youtube: <https://youtube.com/@bitcctvsolutions>

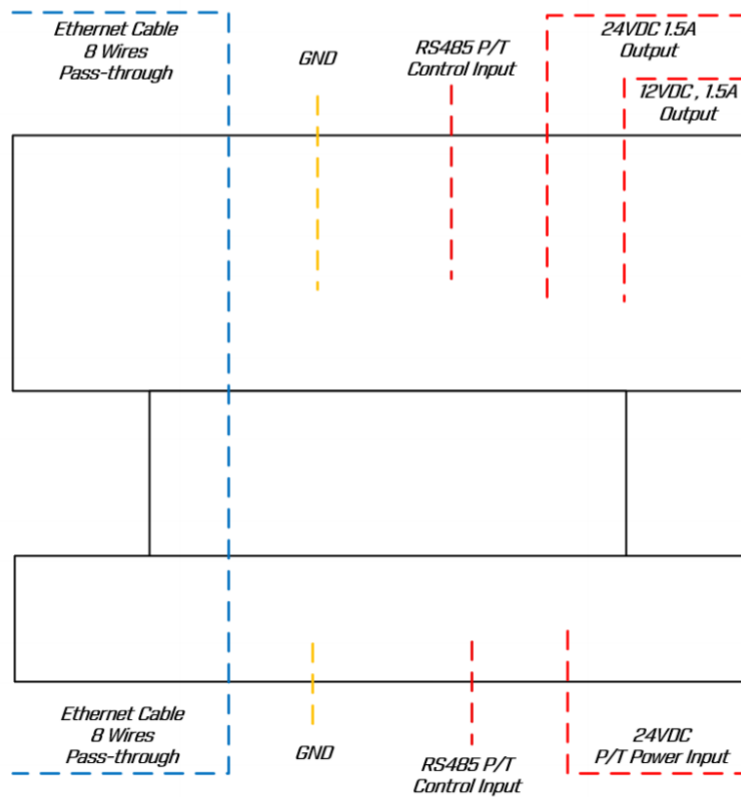


## Specifications:

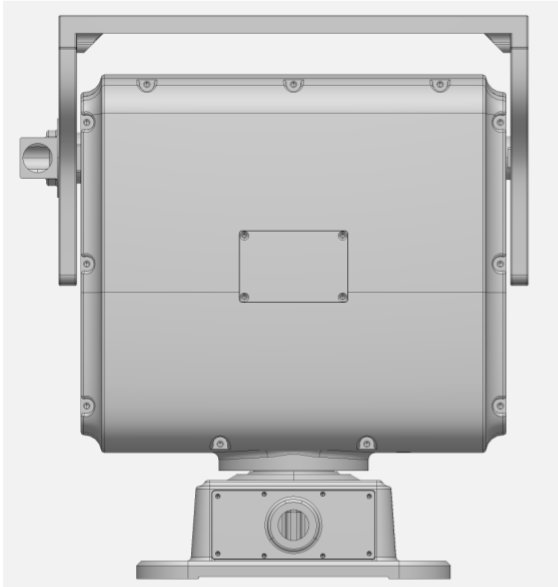
Model	BIT-PT865		
Payload Capacity	30kg/66lb	50kg/110lb	65kg/143lb
Mount Type	Top mount or side mount		
Pan Rotation	continuous 360° (Optional uncontinuous rotation)		
Tilt Angle	-80°~+80°	-60°~+60°	-45°~+45°
Pan Rotation Speed	0.01~60°/s	0.01~30°/s	0.01~20°/s
Tilt Rotation Speed	0.01~20°/s	0.01~12°/s	0.01~10°/s
Repeatability Accuracy	± 0.1°		
Programmable Presets	200		
Cruising Track	8, each with 10 preset positions		
Scan	1		
Power Failure Memory	Support, back to PT position or movement before power failure		
Start Movement	A series of movements for calibration when the unit is powered on		
Absolute Position	Support		
Protocol	Pelco P/D		
Communication Interface	RS485, RS422 or RS232		
Baud Rate	2400/4800/9600/19200 bps		
<b>Standard Wiring</b>			
Pan Tilt Base	<ul style="list-style-type: none"> <li>· Ethernet (8 wire, pass-through to the base)</li> <li>· RS485 P/T control input (2 wire)</li> <li>· 24V DC Power Input (2 wire)</li> <li>· GND</li> </ul>		
Pan Tilt Top	<ul style="list-style-type: none"> <li>· Ethernet (8 wire, pass-through to the top)</li> <li>· RS485 P/T control input (2 wire)</li> <li>· 12V DC @1.5A output (2 wire)</li> <li>· 24V DC@1.5A output (2 wire)</li> <li>· GND</li> </ul>		

General	
Operating Voltage	24V DC ~ 60V DC
Power Consumption	≤150W
Working Temperature	-35°C~+70°C
Working Humidity	90±5% RH
Storage Temperature	-50 °C~+70 °C
Protection Level	IP66
Material	Aluminium Alloy
Weight	24kg
Dimension L×W×H	353×214×384mm (L*W*H)

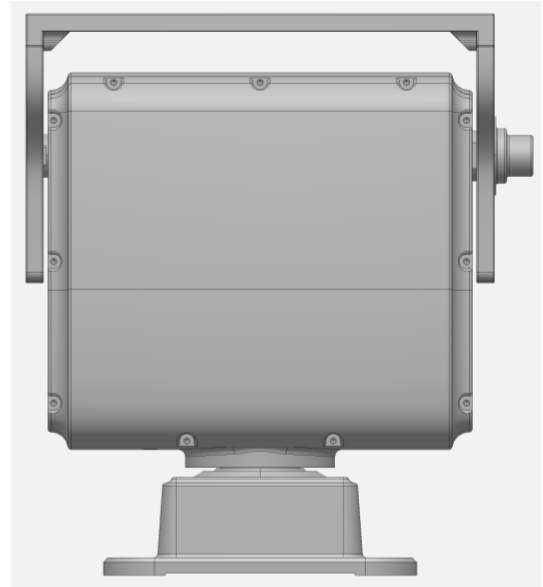
### Standard Wiring:



## Image Gallery:



FRONT



BACK



SIDE



TRIPOD